

FM Wireless Remote Control System

RIN-FR100

This product is **high-sensitivity, high-performance FM wireless remote control** intended to control remotely automatic shutter, automatic sliding door, overhead door, tubular motor or the like. **To ensure the safe and correct use of this product, please read carefully all instructions throughout this manual.**

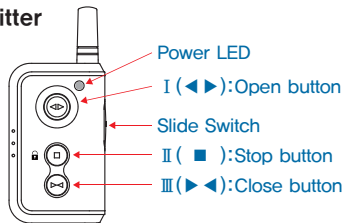


1. Components & Specifications

Set	Transmitter (RN-FT100)(OPTION)	2EA		
	Receiver (RIN-FR100)	1EA		
	6PIN Connector	1EA		
	Antenna	1EA		
	User's Manual	1Copy		
Spec	Transmitter (RN-FT100)		Receiver (RIN-FR100)	
	Transmission frequency	447.600MHz	Power source	AC220V ± 10%, 60Hz
	Modulation	FM (FSK NRZ)	Contact output	10A / 120VAC
	Battery	1.5V AAA 1EA		10A / 24VDC
	Operating temperature	-20°C~50°C	Operating temperature	-20°C~50°C
	Size	82×60×17mm	Size	137×100×36mm
	Weight	34g	Weight	354g

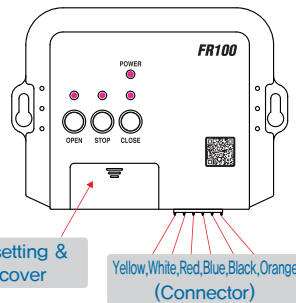
2. Functions

Transmitter



- ◆ Power LED : Light on whenever the button is pressed.
- ◆ Open button : Use this button to open door.
- ◆ Stop button : Use this button to close door.
- ◆ Close button : Use this button to open door continuously.
- ◆ Slide Switch : Remote Control Power ON/OFF

Receiver



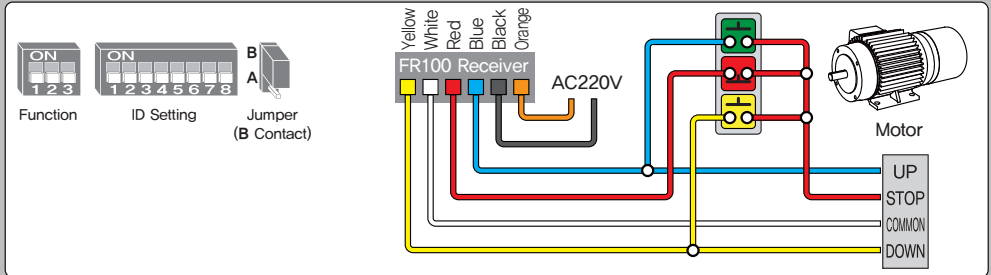
- ◆ Power supply 2 Lines (Orange, Black): AC220V ± 10%, 60Hz
- ◆ Relay contact line: 4 Lines (Blue, Red, White, Yellow)

⚠ Please make sure that turn off the power before set the function (dipswitch)

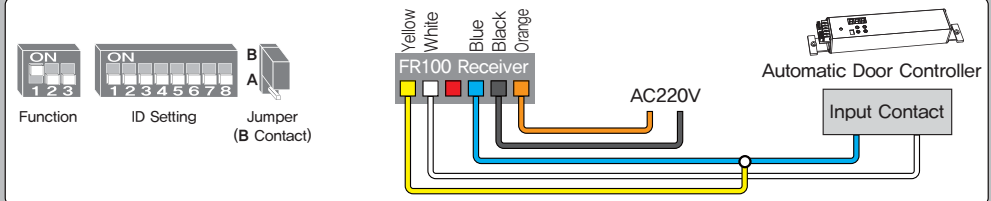
3. Installation

1. Make sure that the ID setting switch of transmitter is matched with that of receiver.
2. Open the 'Function Setting & ID Setting Cover' attached on the receiver, and apply the following settings prior to use.

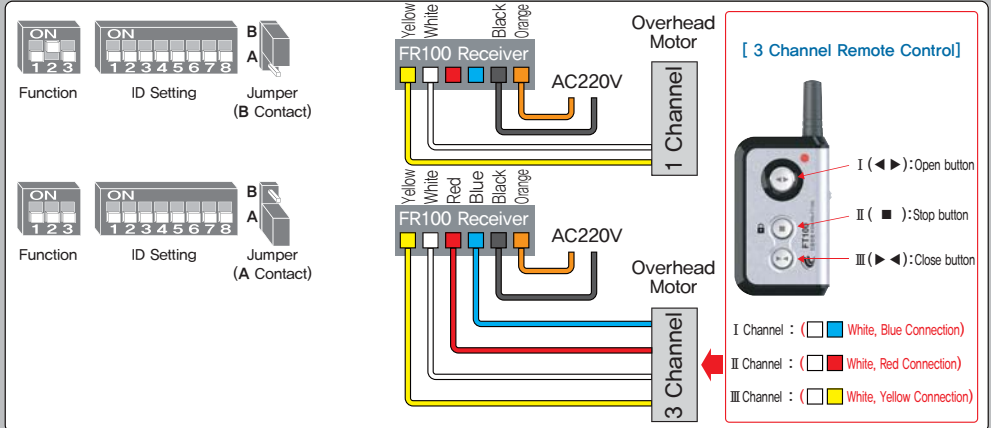
[For Automatic Shutter]



[For Automatic Sliding Door]



[For Overhead Door 1, 3 Channel]



[For Somfy & Screen Motor] (Contact Output Voltage AC220V)

