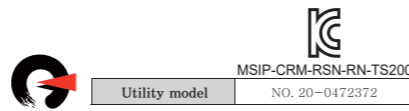


Wireless Touch Switch (Waterproof Type)



RN-MTR II 200(Receiver), TS200(Transmitter)

This product is a waterproof type wireless touch switch for automatic doors.
Please read this manual carefully for safe and correct use of the product.

1. Component & Specifications

Components	TS200 (Transmitter)		RN-MTR II 200 (Receiver)	
	Double-sided adhesive tape	1EA	6P Harness	1EA
	Batteries 1.5V Size AAA	2EA	Fixing screws (Ø4x13)	2EA
User's Manual	1 Copy	User's Manual	1 Copy	

Specifications	Power supply	1.5V*2 (Size AAA Battery)	Power supply	DC 12~30V / AC 12~24V
	Duration	Approx. 12 months (100 Cycles / day)	Relay contact capacity	AC/DC 400V, 120mA
	Rated frequency	FM 447.9375 MHz	Rated frequency	FM 447.9375 MHz
	Distance	10m Within (When installed in steel structures : 2m Within)	Reception sensitivity	-110 dBm
	Power consumption	30mA Under	Power consumption	100mA Under
	Operating temp	-20°C ~ 50°C	Operating temp	-20°C ~ 50°C
	Size	39 x 185 x 13mm	Size	99 x 43 x 21 mm

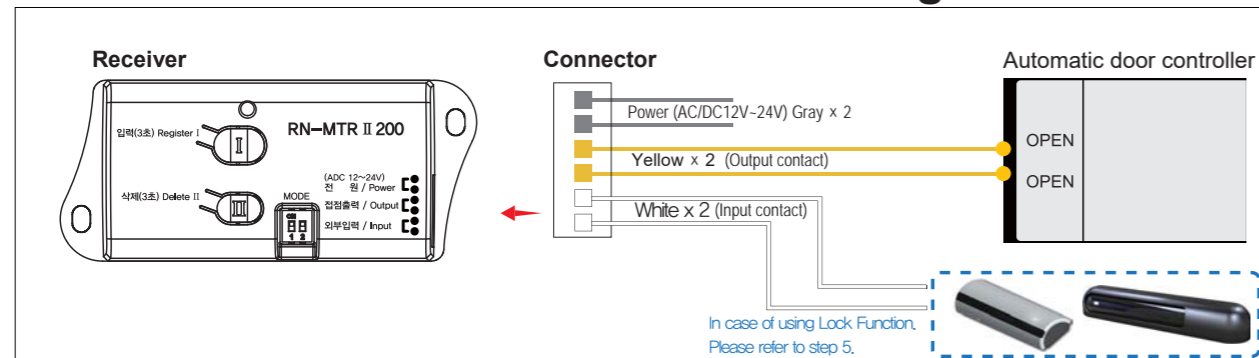
2. How to Install Wireless Touch Transmitter Switch (TS200)

Procedures

1. Insert batteries & synchronize TS200 to MTR II 200. Registration should be done before attaching TS200 on the door. Please refer to step 4.
2. Attach double-sided adhesive tape to the assembled wireless touch switch.
3. Fix the wireless touch switch on the tempered glass or on the desired place to be installed.

⚠ Please use double-sided adhesive when you install the wireless touch switch (Which improves waterproof function)

3. Wireless touch switch Receiver Wiring



4. Wireless touch switch Receiver

- Registration of transmitters**
 - Input (register) a transmitter by pressing the transmitter's switch (TS200) for three seconds while pressing and holding the Register I button
 - When the Registration process is complete, the red LED turns on.
- Deletion of transmitters**
 - Delete a transmitter by pressing the transmitter's switch (TS200) for three seconds while pressing and holding the Delete II button.
 - When the deletion process is complete, the LED flickers once.
- Deletion of all transmitters**
 - Delete all registered transmitters by pressing the Register I and Delete II button at the same time for 5 seconds.
 - When the deletion process is complete, the LED flickers three times.
- Contact output**
 - The contact output is done by pressing the registered transmitter (two yellow lines).
 - When the contact output is done, the red LED turns on.
- Function to maintain the contact output (only for TS200)**
 - * Setting method
 - Turn off receiver (MTR II 200), while pressing & holding Register button (I) and turn on the MTR II 200 (maintain the contact output function will be able)
 - When the function to maintain the contact output is enabled, the blue LED turns on.
 - When the function to maintain the contact output is disabled, the green LED turns on.
 - * Operating method
 - The contact output is maintained by pressing the registered transmitter for more than 5 seconds and is released by pressing the registered transmitter again.
 - When the contact output is in operation, the violet LED turns on.

Ten transmitters can be registered per receiver.

5. Works with remote control (FT250)

You can use "Maintain the contact output" and "Lock" Function, please refer to below.

DIP S/W Configuration

- ON 1 2** : Basic (Default)
Only open.
You can not use Button II & III .
- ON 1 2** : Maintain the contact output Function
Button I : Open
Button II : Release "Maintain the contact output" function
Button III : Activate "Maintain the contact output" function (LED : violet)
- ON 1 2** : Lock Function
Button I : Open
Button II : Lock (LED : Yellow)
Button III : Unlock
- ON 1 2** : Maintain the contact output / Lock
Button I : Open
Button II : Lock / Unlock (Toggle)
Button III : Maintain the contact output ON / OFF (Toggle)

⚠ When Locked, only works with FT250 until it is unlocked.
⚠ In case of power failure when locked, lock condition will be kept.
⚠ If you try to lock in "Maintain the contact output", the door will be closed and locked.